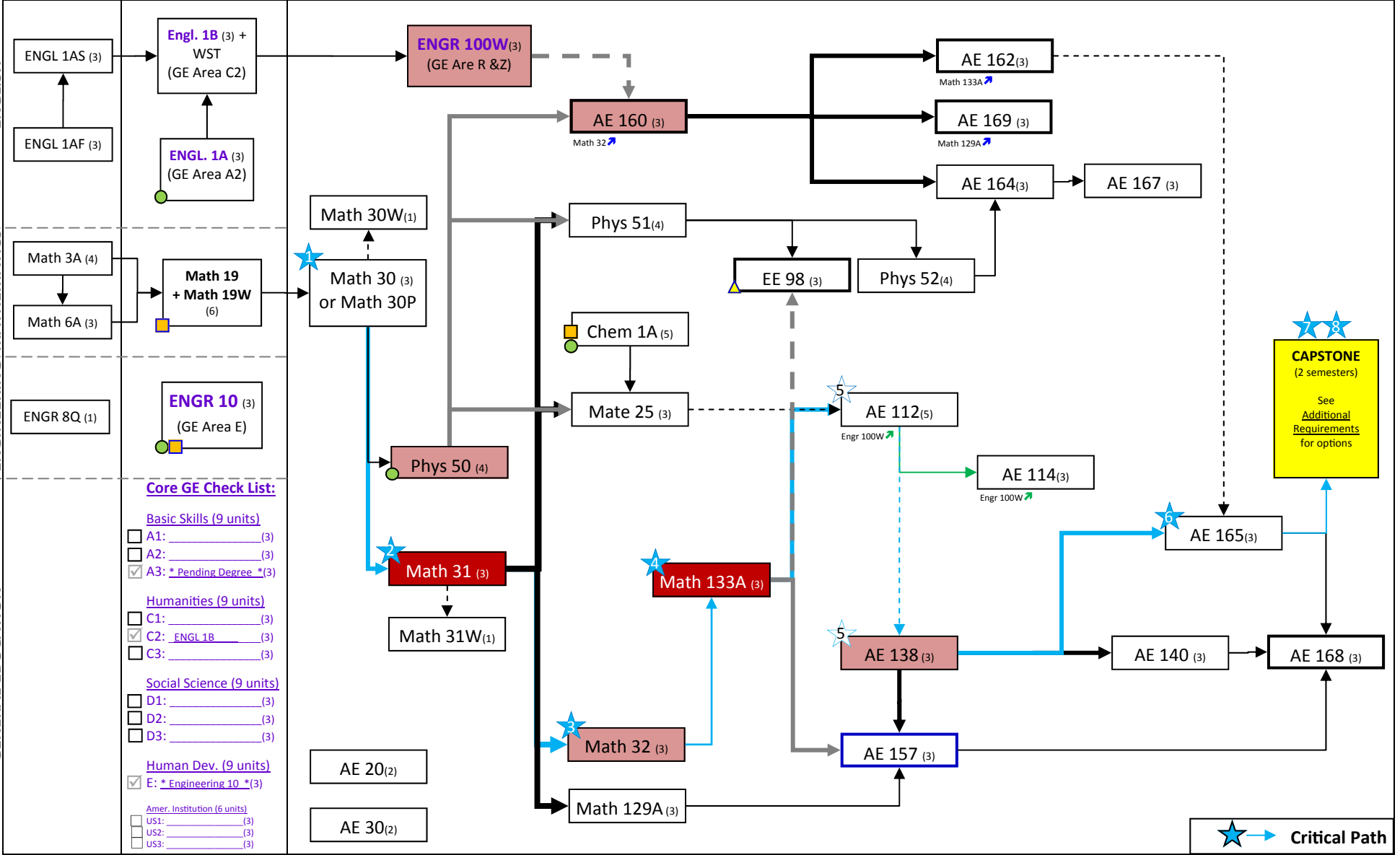


Aerospace Engineering (120 units)

ENGLISH

ENGINEERING | MATHEMATICS

GENERAL EDUCATION



Core GE Check List:

- Basic Skills (9 units)**
- A1: _____ (3)
- A2: _____ (3)
- A3: * Pending Degree *(3)
- Humanities (9 units)**
- C1: _____ (3)
- C2: ENGL 1B (3)
- C3: _____ (3)
- Social Science (9 units)**
- D1: _____ (3)
- D2: _____ (3)
- D3: _____ (3)
- Human Dev. (9 units)**
- E: * Engineering 10 *(3)
- Amer. Institution (6 units)**
- US1: _____ (3)
- US2: _____ (3)
- US3: _____ (3)

Additional Requirements:

- 1) Capstone & SJSU Studies (S & V)*:
 - Option 1: (AE 171A+ENGR 195A) & (AE 171B + ENGR 195B) or...
 - Option 2: (AE 172A+ENGR 195A) & (AE 172B + ENGR 195B)
- 2) Technical Elective Courses: _____ (3 units)

ABOUT SJSU Studies Area S & V:
 To satisfy GE areas S & V student must complete **all** course in selected capstone option.