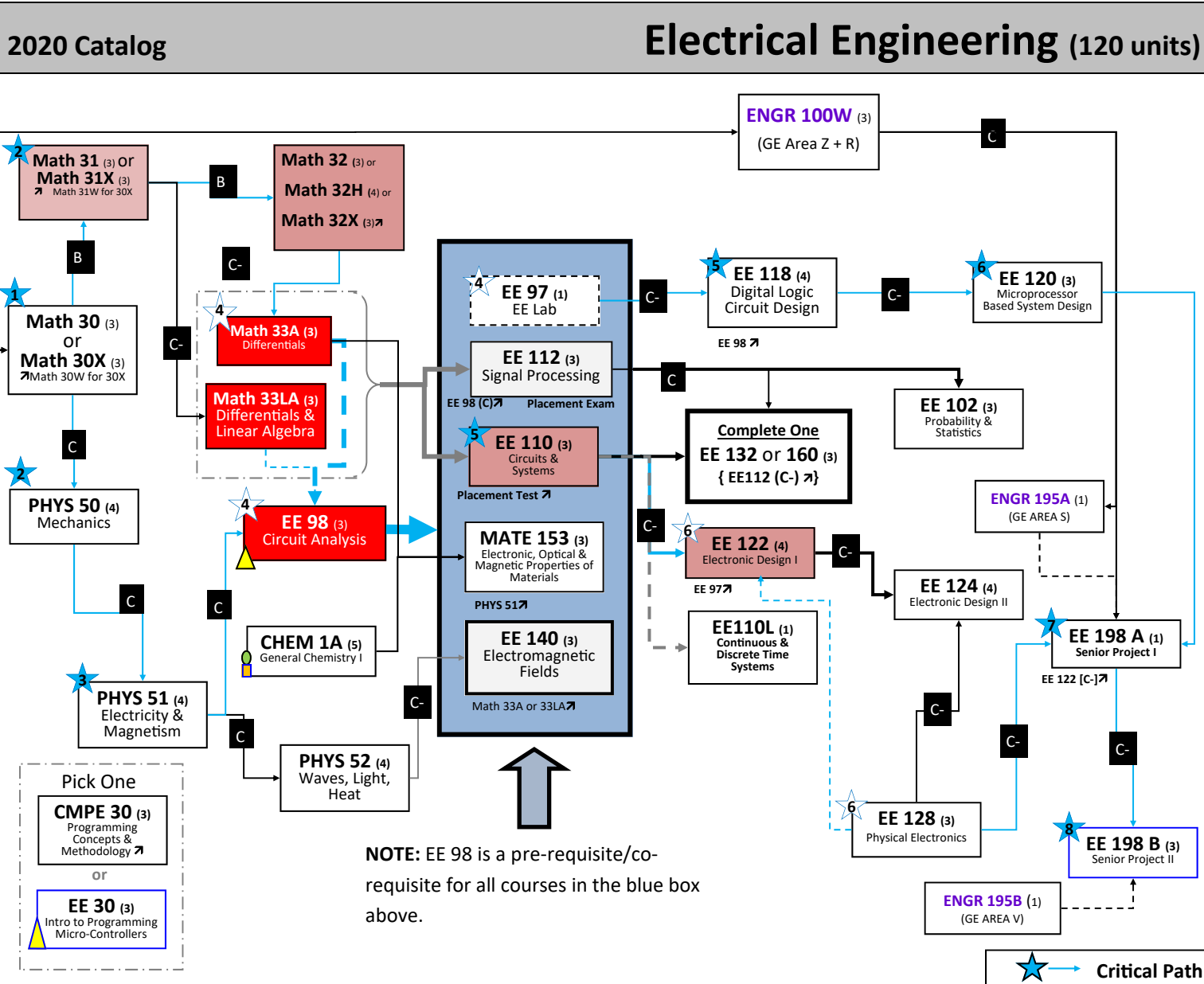


Electrical Engineering (120 units)

English
Math
ENGR

Supplemental Instruction	Core GE
ENGL 1AS (3) ENGL 1AF (3) Math 18B (3) Math 18A (1) Math 01 (3) ENGR 8 (1)	ENGL 1B (3) + Core GE & WST ENGL 1A (3) Math 19 + 19W (6) ENGR 10 (3) (GE Area E)
GE Check List: <u>Basic Skills (9 units)</u> <input type="checkbox"/> A1: _____ (3) <input type="checkbox"/> A2: _____ (3) <input checked="" type="checkbox"/> A3: * <u>Pending Degree</u> *(3) <u>Humanities (9 units)</u> <input type="checkbox"/> C1: _____ (3) <input type="checkbox"/> C2: <u>ENGL 1B</u> (3) <input type="checkbox"/> C3: _____ (3) <u>Social Science (9 units)</u> <input type="checkbox"/> D1: _____ (3) <input type="checkbox"/> D2: _____ (3) <input type="checkbox"/> D3: _____ (3) <u>Human Dev. (9 units)</u> <input checked="" type="checkbox"/> E: <u>Engineering 10</u> (3) <u>American Inst. (6 units)</u> <input type="checkbox"/> US1: _____ (3) <input type="checkbox"/> US2: _____ (3) <input type="checkbox"/> US3: _____ (3)	



- Pre-requisite (↗ Additional Req.)
 - - - Co-requisite (↗ Additional Req.)
 - ▲ ENGR 10 Pre-Requirement
 - English 1A Readiness Required
 - Math 19 Readiness Required
- Generals Education**

Additional Requirements:

Elective Courses: _____ (12units)

SJSU Studies: R & Z: ENGR 100W S: EE 198A+B/ENGR 195A+B (3 units) V: EE 198B/ENGR 195B (3 units)